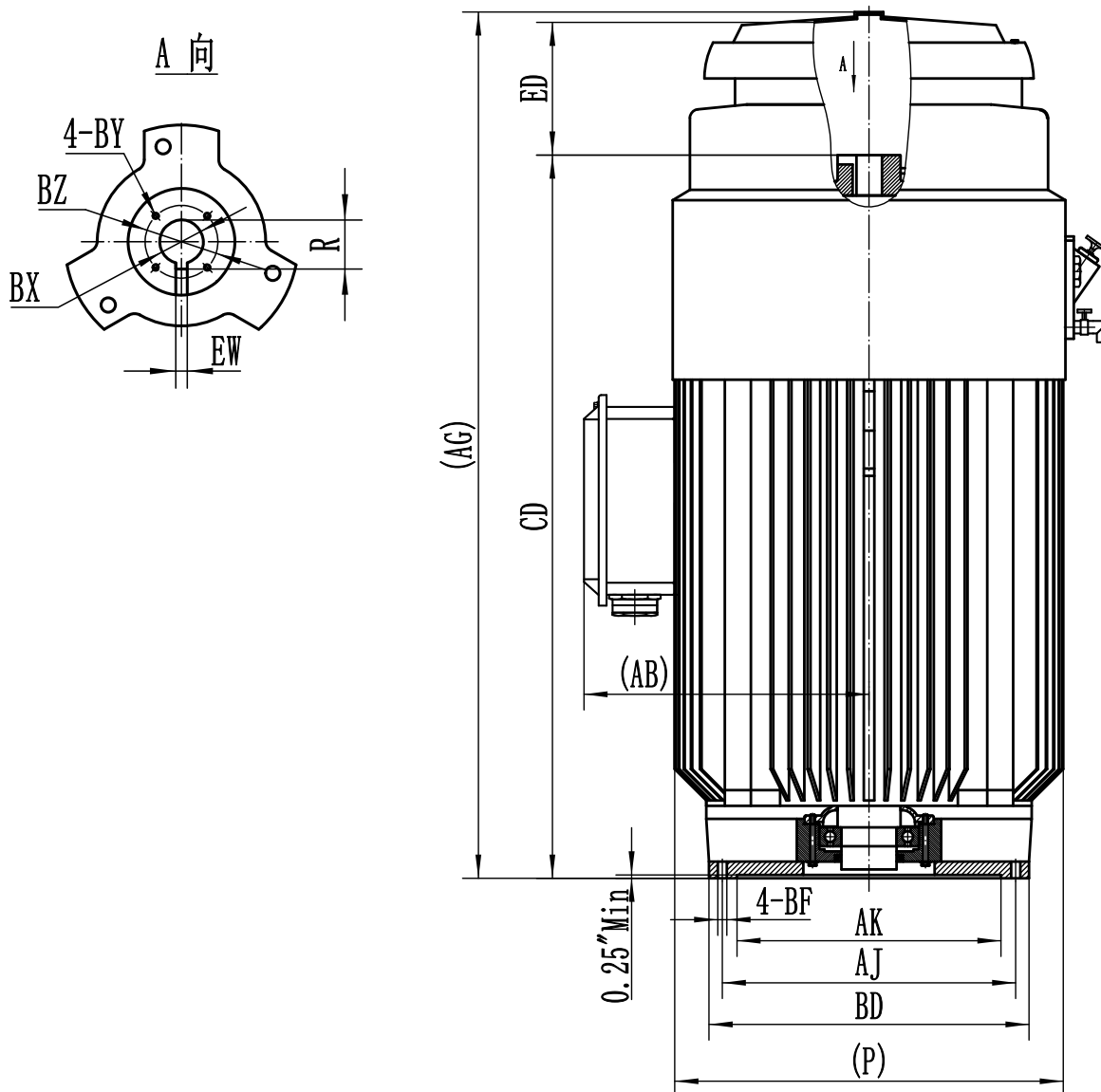




MOTOR DIMENSIONS - 440TP TEFC



MOUNTING DIMENSIONS - 440TP TEFC

FRAME	MOUNTING DIMENSIONS(INCH)												
	HP	BD	AJ	AK	BF	BX	BZ	EW	R	BY	CD	AB	AG
VHS444TP-4	150	16.5	14.75	13.5	0.69	1.69	2.5	0.375	1.854	1/4-20	45.12	22.8	54.3
VHS445TP-4	200-250	16.5	14.75	13.5	0.69	1.69	2.5	0.375	1.854	1/4-20	45.12	22.8	54.3