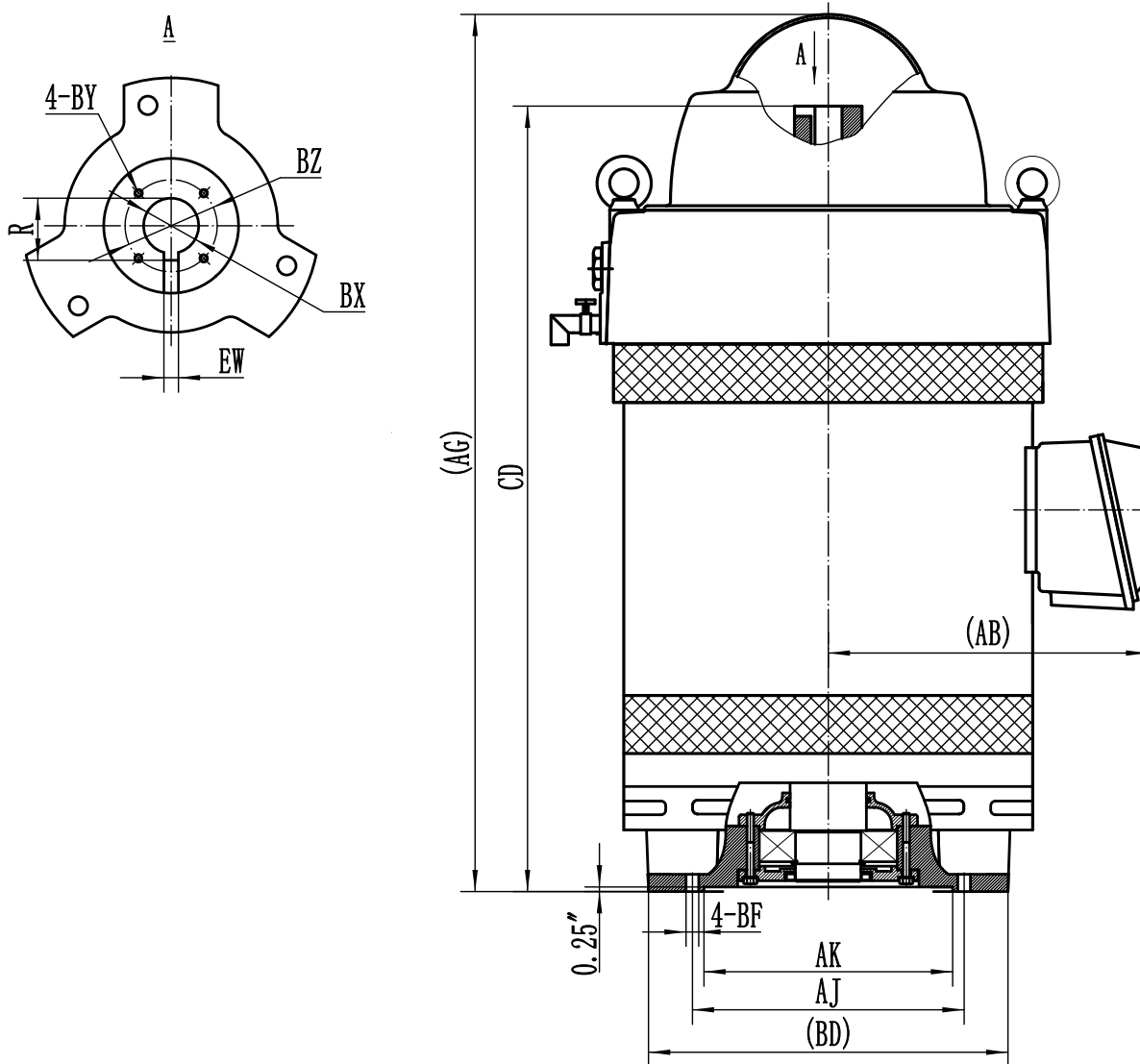




MOTOR DIMENSIONS - 400TP



MOUNTING DIMENSIONS - 400TP

FRAME	MOUNTING DIMENSIONS(INCH)												
	HP	BD	AJ	AK	BF	BX	BZ	EW	R	BY	CD	AB	AG
VHS404TP-4	100	16.5	14.75	13.5	0.69	1.5	2.125	0.37	1.668	1/4-20	36.94	16.93	42.2
VHS405TP-4	125	16.5	14.75	13.5	0.69	1.5	2.125	0.37	1.668	1/4-20	36.94	16.93	42.2