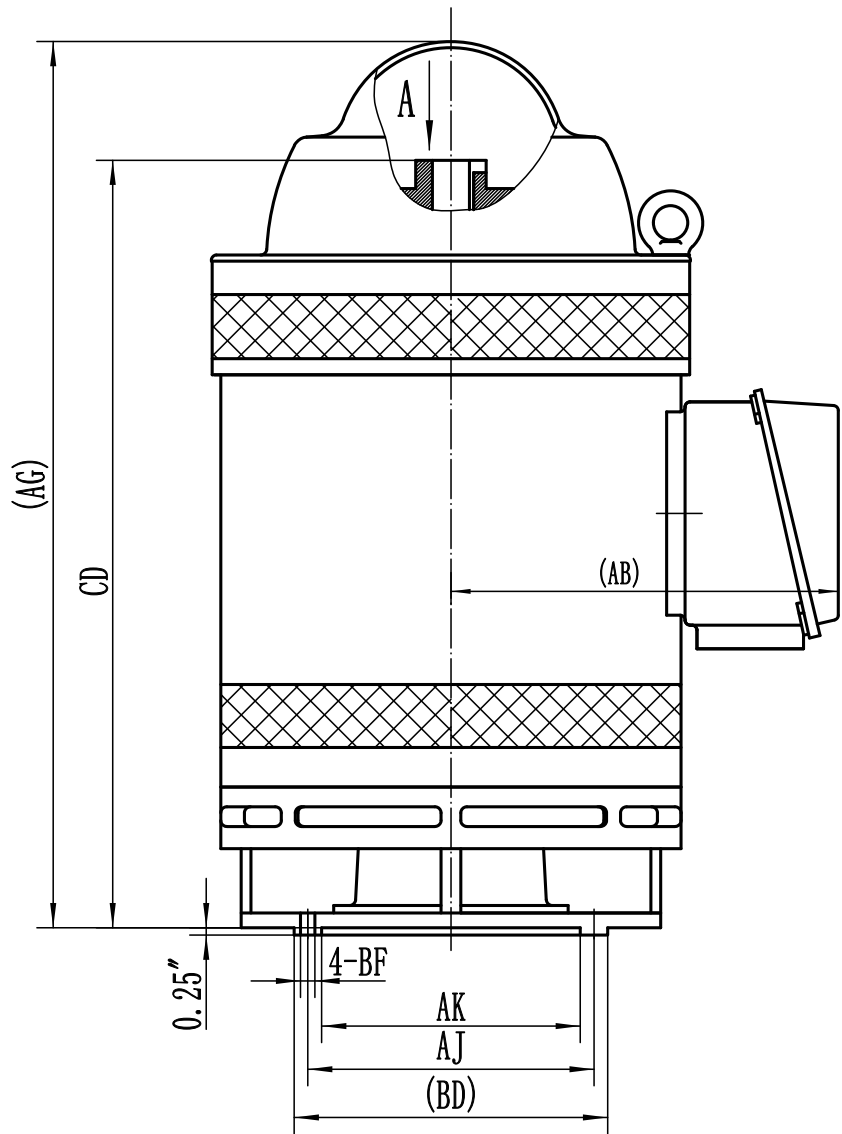
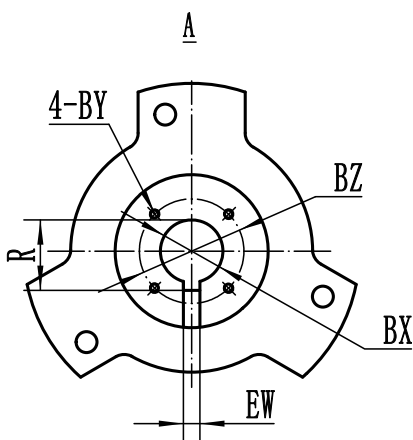




MOTOR DIMENSIONS - 280TP



MOUNTING DIMENSIONS - 280TP

FRAME	MOUNTING DIMENSIONS(INCH)												
	HP	BD	AJ	AK	BF	BX	BZ	EW	R	BY	CD	AB	AG
VHS284TP-4	25	10	9.125	8.25	0.44	1	1.38	0.2	1.13	1/4-20	24.75	14.3	28.5
VHS286TP-4	30	10	9.125	8.25	0.44	1	1.38	0.2	1.13	1/4-20	24.75	14.3	28.5