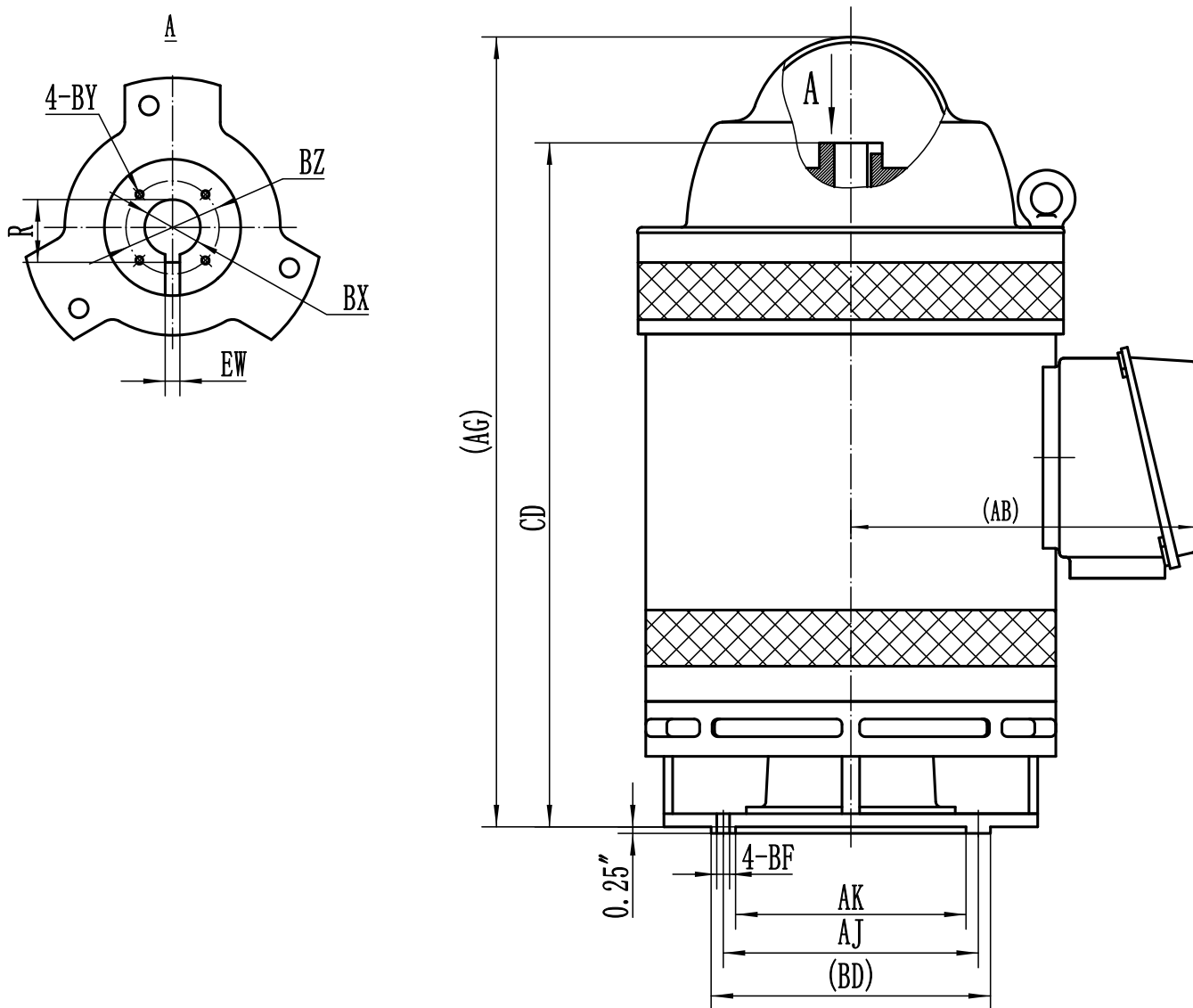




MOTOR DIMENSIONS - 210TP



MOUNTING DIMENSIONS - 210TP

FRAME	MOUNTING DIMENSIONS(INCH)												
	HP	BD	AJ	AK	BF	BX	BZ	EW	R	BY	CD	AB	AG
VHS215TP-4	10	10	9.125	8.25	0.44	1	1.38	0.2	1.13	1/4-20	17.6	12.1	20.8