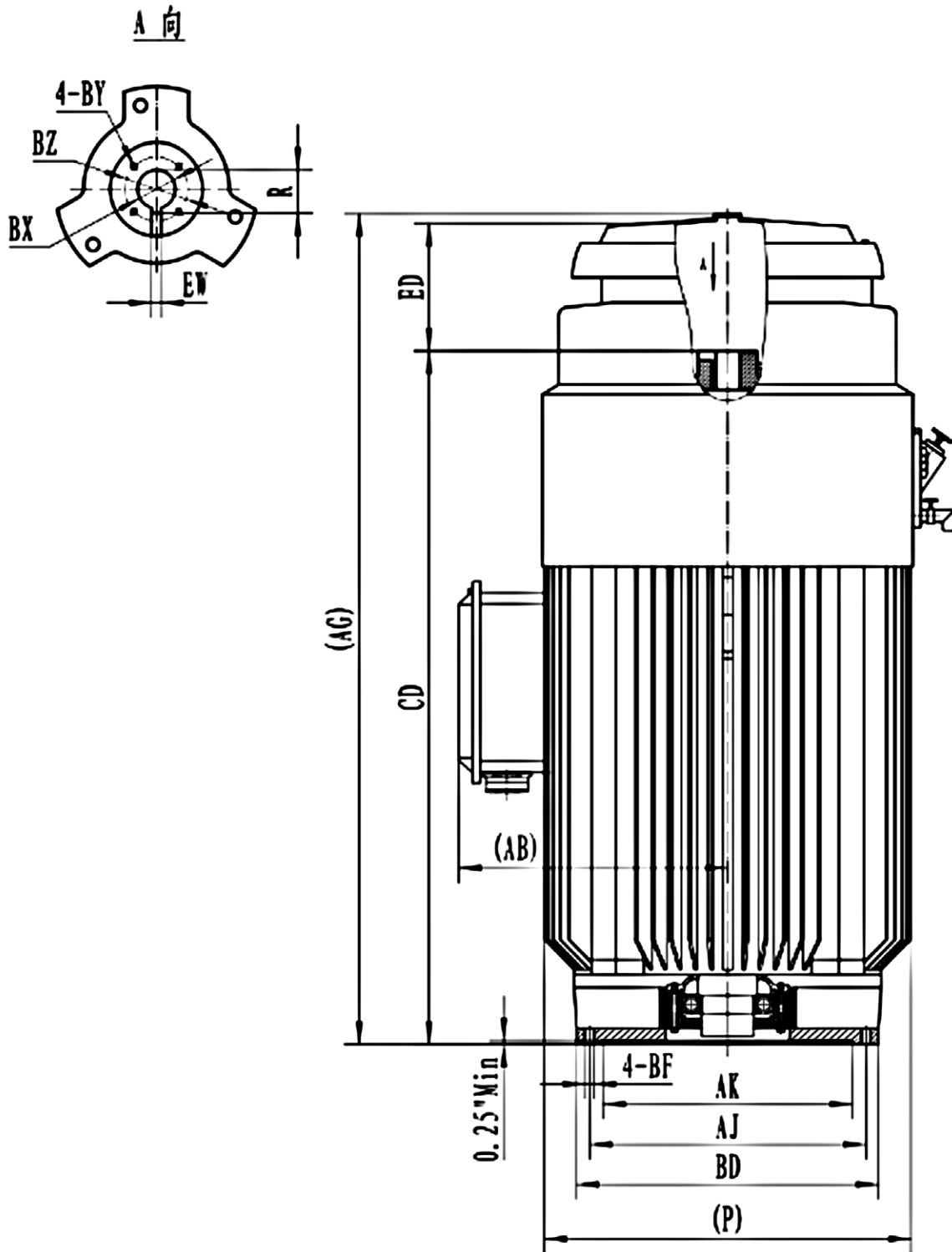




VHS TEFC MOUNTING DIMENSIONS



# VHS TEFC MOUNTING DIMENSIONS





## VHS TEFC MOUNTING DIMENSIONS

TYPE	MOUNTING DIMENSIONS(INCH)														
	HP	BD	AJ	AK	BF	BX	BZ	EW	R	BY	CD	ED>	P	AB	AG
VHS320TP	40-50	16.5"	14.75"	13.5"	.069"	1.25"	1.75"	0.2"	1.367"	1/4-20"	28.22"	5"	14.4"	11.9"	36.4"
VHS360TP	60-75	16.5"	14.75"	13.5"	.069"	1.25"	1.75"	0.2"	1.367"	1/4-20"	31.16"	5"	18.4"	14.9"	39.4"
VHS400TP	100-125	16.5"	14.75"	13.5"	.069"	1.5"	2.16"	0.37"	1.668"	1/4-20"	36.94"	5"	24.8"	19.7"	45.7"
VHS440TP	150-200	16.5"	14.75"	13.5"	.069"	1.69"	2.5"	0.375"	1.854"	1/4-20"	42.66"	5"	26.7"	22.8"	49.3"
VHS445TP	250	16.5"	14.75"	13.5"	.069"	1.69"	2.5"	0.375"	1.854"	1/4-20"	42.66"	5"	26.7"	22.8"	51.2"



### BMR USA LLC SALES LOCATIONS

**CORPORATE OFFICE:**  
Scottsdale, AZ 85254

**SALES OFFICE:**  
5803 E Kings Ave.  
Scottsdale, AZ 85254  
PH-480-390-4980

**ENGINEERING SUPPORT:**  
Mission Viejo, CA

**STOCKING LOCATIONS:**  
Phoenix, AZ  
Hayward, CA  
Fresno, CA  
Bakersfield, CA  
Ada, OK  
Visalia, CA

